

# 1310nm 1.25G FP Laser with Receptacle

## Features :

- Uncooled 1310nm Fabry-Perot MQW Laser Diode, Built-in InGaAs PD Monitor
- Wide Operating Temperature Range: -40°C~+85°C
- Laser Welding Assembly Method
- High Reliability and Long Operation Life
- Various Connector Type: SC, FC, ST, LC, MU

## Applications :

- Transceiver Module
- Data Communication
- Telecommunication
- Gigabit Ethernet

## Limit Value :

Parameter	Symbol	Parameter Value	Unit
LD forward current	I <sub>f</sub> (LD)	I <sub>th</sub> +40DC <sup>2</sup>	mA
LD reverse voltage	V <sub>r</sub> (LD)	2	V
PD operation current	I <sub>f</sub> (PD)	2	mA
PD reverse voltage	V <sub>r</sub> (PD)	20	V
Operation temperature	T <sub>opr</sub>	-40~+85	°C
storage temperature	T <sub>stg</sub>	-40~+85	°C
lead soldering temperature	T <sub>sl</sub>	260/10	°C/s

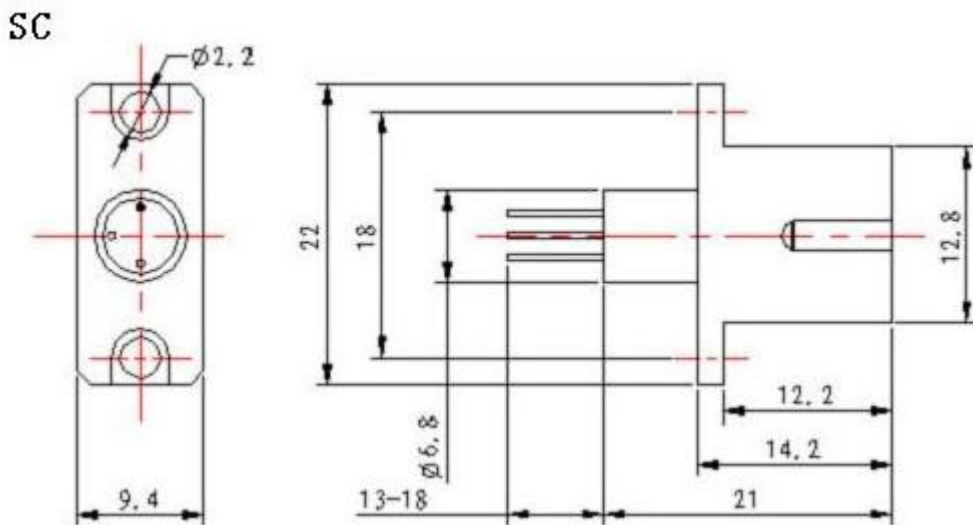
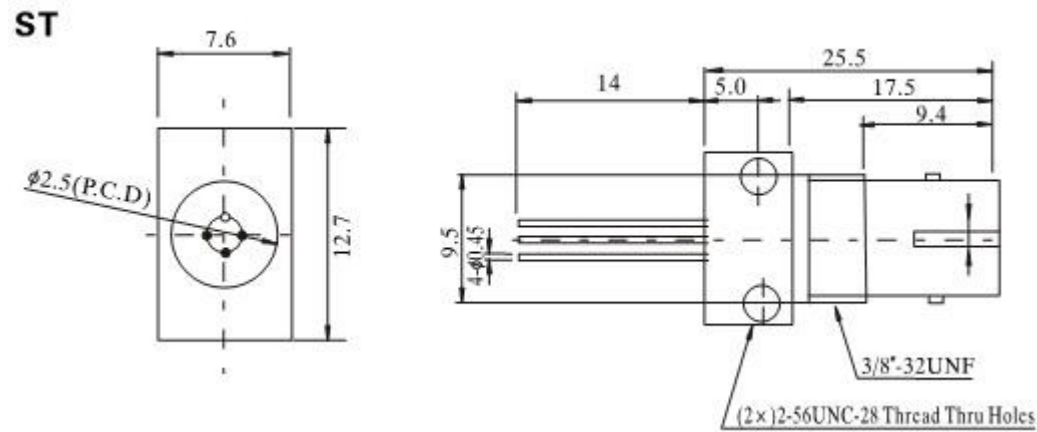
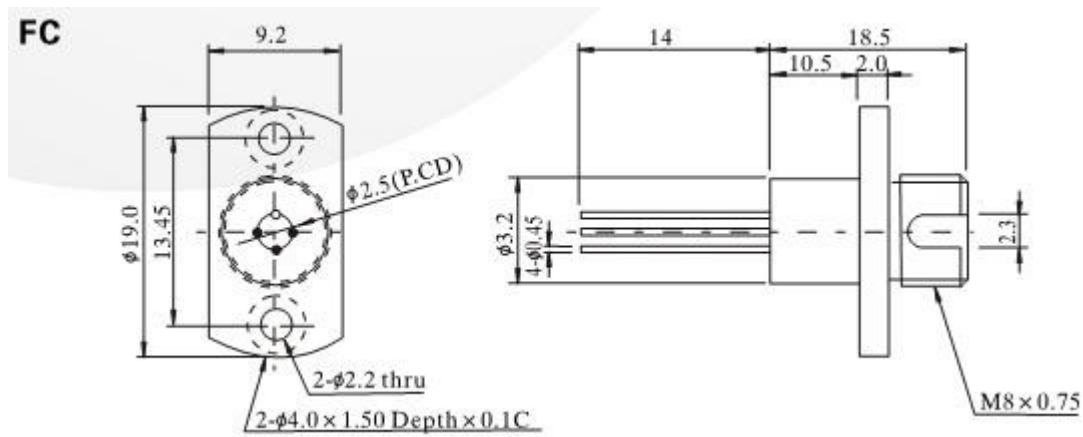
## Specifications :

Parameter	Symbol	Min	Typ.	Max	Unit	Test condition
Optical output power	P <sub>o</sub>		1.5		mW	I <sub>f</sub> =I <sub>th</sub> +20mA
Threshold current	I <sub>th</sub>		6	13	mA	CW
operation current	I <sub>f</sub>			40	mA	CW
operation voltage	V <sub>o</sub>		1.1	1.5	V	I <sub>f</sub> =I <sub>op</sub>
central wavelength	λ <sub>c</sub>	1290	1310	1330	Nm	I <sub>f</sub> =I <sub>op</sub>
Rise time/fall time (10–90%)	T <sub>r</sub> /T <sub>f</sub>		0.3	0.7	ns	I <sub>f</sub> =I
Monitor current	I <sub>m</sub>	0.1	0.5		mA	I <sub>f</sub> =I <sub>op</sub>
PD terminal capacitance	C <sub>PD</sub>		8	20	P <sub>f</sub>	I <sub>f</sub> =I
Transmitting rate	f <sub>c</sub>		1.25		Gbit/s	I <sub>f</sub> =I <sub>op</sub>

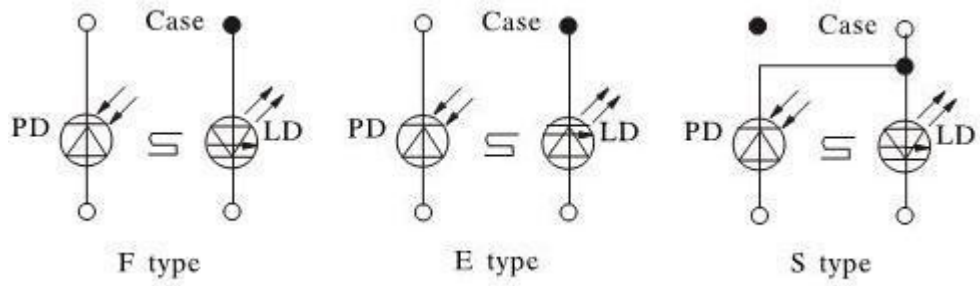
Note: 1,testing humidity is 25°C

2,when operate in pulse situation, there isn't exceeding to Max. driving current.

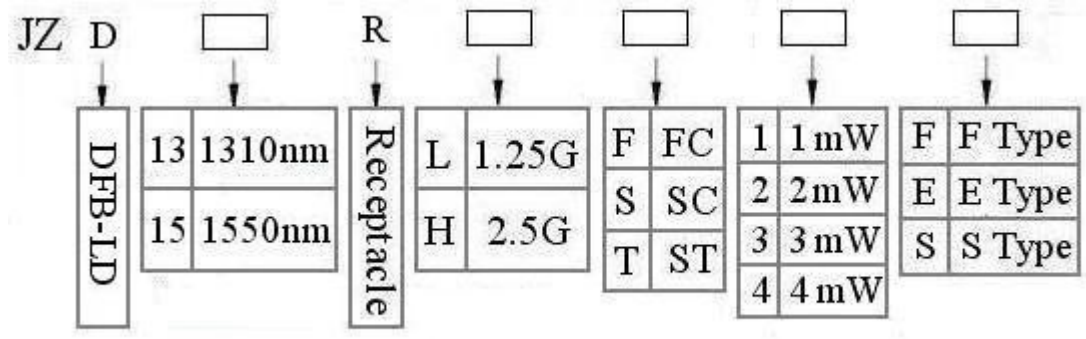
**Package dimensions:**unit :mm



**Pin package drawing :**



**Ordering information**



DFB-LD

13	1310nm
15	1550nm

Receptacle

L	1.25G
H	2.5G

F	FC
S	SC
T	ST

1	1 mW
2	2 mW
3	3 mW
4	4 mW

F	F Type
E	E Type
S	S Type